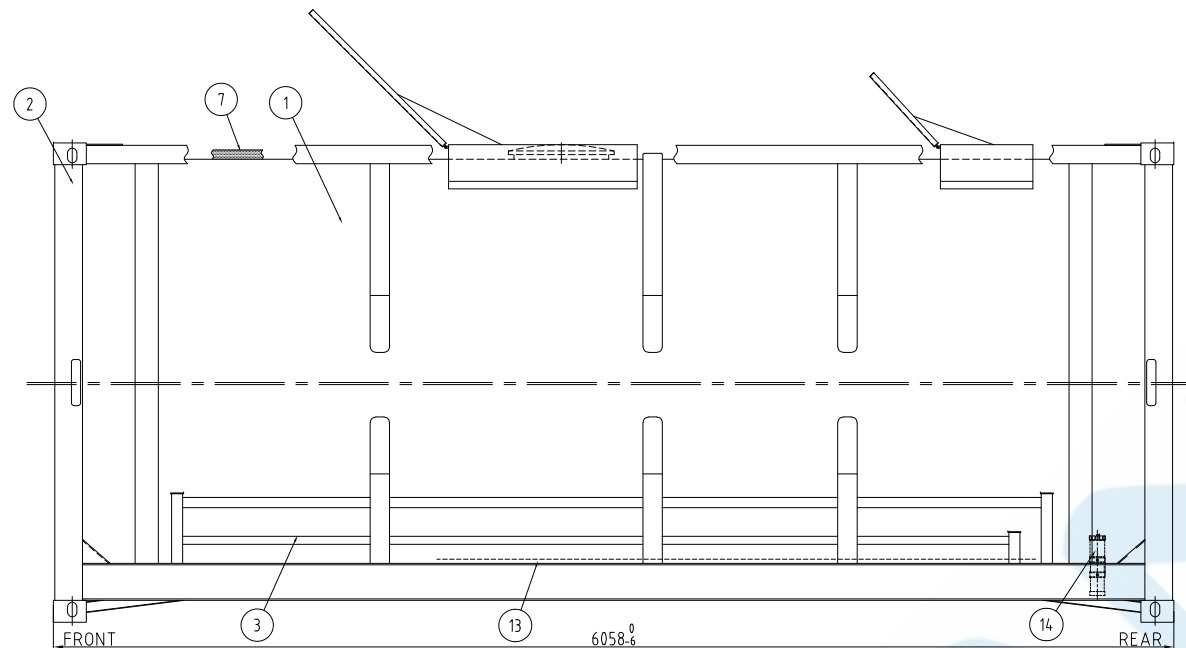
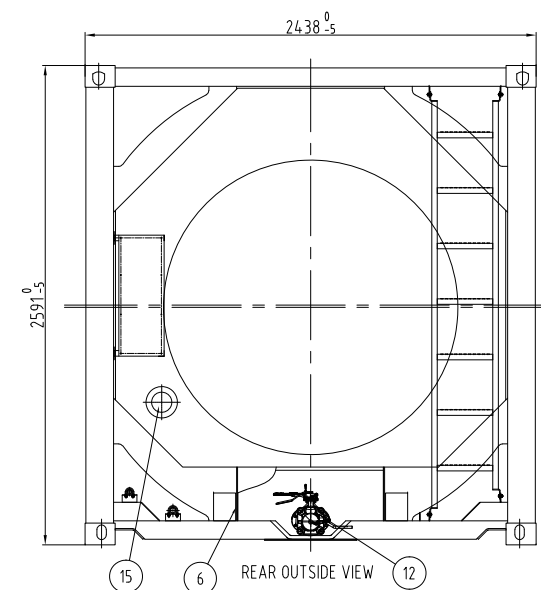


FRONT OUTSIDE VIEW

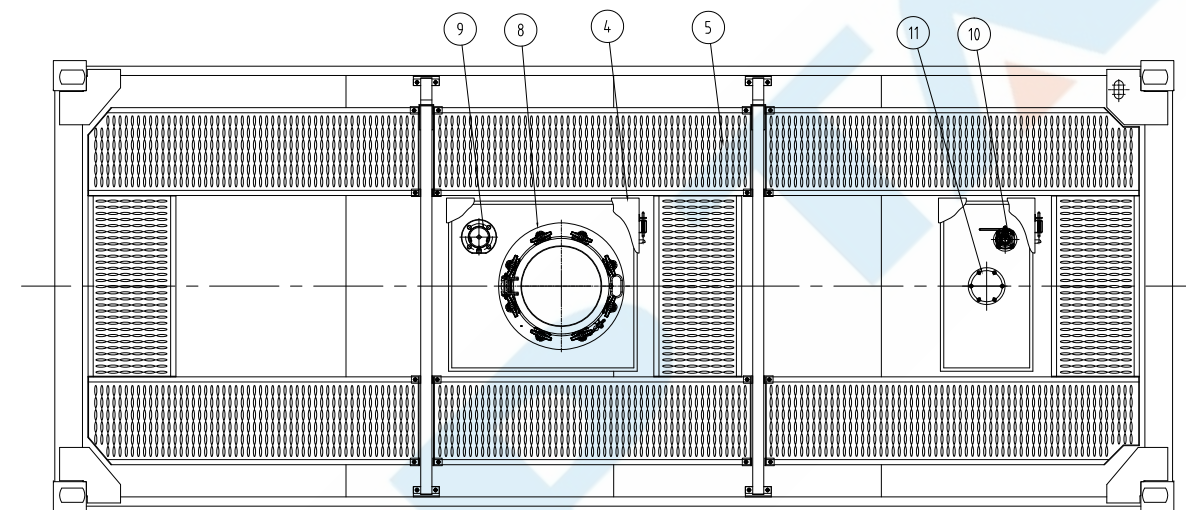


SIDE ELEVATION

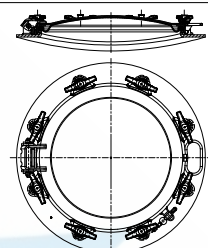
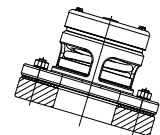
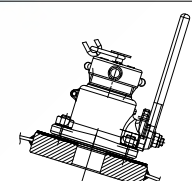

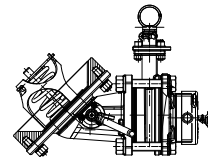
INSULATION NOT SHOW FOR CLARITY



REAR OUTSIDE VIEW



PLAN VIEW

8	500mm MANLID ASSEMBLY	9	3" FLANGE RELIEF VALVE ASSEMBLY
			
10	15" AIR INLET ASSEMBLY	11	3" TOP OUTLET PROVISION ASSEMBLY
			
12	3" BOTTOM OUTLET ASSEMBLY		
			

SPECIFICATION

DESIGN CODE:	ASME VIII Div-1 (NCS) & EN 14025 where applicable MDG/ADR/RID/US DOT(CFR49)-UN Portable tank T11, ADR/RID-L4BN, TIR, UIC, CSC, TC, ISO 1496-3 where applicable	CONTAINER SIZE:	6058mm(L)x2438mm(W)x2591mm(H)
CAPACITY(-1.5,+2%):	26000 L / 6870 US gallons	TANK INSIDE SIZE:	φ2414 mm(I/DA) x 6020 mm(L)
TANK M.A.W.P:	4.0 bar / 58.0 psi	TANK RADIOGRAPHY:	Shell: spot (Including all 'T' Joints) Ends: full (100%)
TANK TEST PRESSURE:	6.0 bar / 87.0 psi	JOINT EFFICIENCIES:	Shell: 0.85(ASME VIII) / 0.8(EN 14025) Ends: 1.0
TANK EXTERNAL PRESSURE:	0.41 bar / 5.9 psi	MAX. PERMISSIBLE GROSS MASS:	39000 kg 85980 lbs
LEAKAGE TEST PRESSURE:	1.0 bar / 14.5 psi	TARE WEIGHT(±3%):	3670 kg 8090 lbs
VESSEL DESIGN TEMPERATURE:	-40°C TO +130°C	MAX. PAYLOAD:	35330 kg 77890 lbs
TANK SHELL MATERIALS:	SANS 50028-7 14402 or equivalent to 316L. C<0.03%. Cold rolled 2B finish	SHELL INSULATION:	50mm ROCKWOOL ON SHELL WHERE POSSIBLE
TANK HEADS MATERIALS:	SANS 50028-7 14402 or equivalent to 316L. C<0.03%. Hot rolled, polished	ENDS INSULATION:	GLASSWOOL, THICKNESS TO SUIT THE SHAPE OF END
CORROSION ALLOWANCE:	SHELL: 0.22mm / ENDS: 0.2mm	SHELL CLADDING & COLOUR:	18mm GRP GREY (RAL7040)
STEAM TUBE M.A.W.P:	4.0 bar / 58.0 psi	ENDS CLADDING & COLOUR:	2.0mm GRP GREY (RAL7040)
STEAM TUBE TEST PRESSURE:	6.0 bar / 87.0 psi	CLASSIFICATION SOCIETY:	LR

REVISIONS	A	27.Jul.2018	New drawing.	Kevin
ISSUE	DATE	DATE	MODIFY DESCRIPTION	DRAWING BY

ITEM	DRAWING NO.	ENGLISH/CHINESE NAME	DESCRIPTION	QTY	MATERIAL	WEIGHT	NOTE
15		THERMOMETER	-40c ~+160c	1			
14		DOCUMENT HOLDER	Ø75mm x 325mm	1			
13		REMOTE CLOSURE		1			
12		BOTTOM OUTLET ASSEMBLY	3"BSP	1			
11		TOP OUTLET PROVISION ASSEMBLY	3"Flange	1			
10		AIR INLET ASSEMBLY	15"BSP	1			
9		FLANGE RELIEF VALVE ASSEMBLY	3"Flange	1			
8		MANLID ASSEMBLY	500mm	1			
7		INSULATION AND CLADDING ASSEMBLY		1			
6		BOTTOM TRAY ASSEMBLY		1			
5		WALKWAY ASSEMBLY		1			
4		SPILLBOX ASSEMBLY		1			
3		HEATING & VACUUM RING ASSEMBLY		1			
2		FRAMEWORK ASSEMBLY		1			
1		VESSEL ASSEMBLY		1			

		靖江市亚泰物流装备有限公司 Jing jiang Asian-Pacific Logistics Equipment Co., Ltd				
DESIGN	Kevin	SCALE	NAME	General Drawing	DWG. NO.	040-00174
CHECK		MATERIAL			ISSUE	A
REVIEW		WEIGHT	DESCRIPTION	26cbm 6058mm(L)x2438mm(W)x2591mm(H)	SHEET NO.	1/1
DATE	27.Jul.2018				<small>THE FILE IS COPYRIGHT OF JJAP AND SHALL NOT BE COPIED, MODIFIED OR APPLIED IN ANY FORM WITHOUT JJAP'S PERMISSION.</small>	